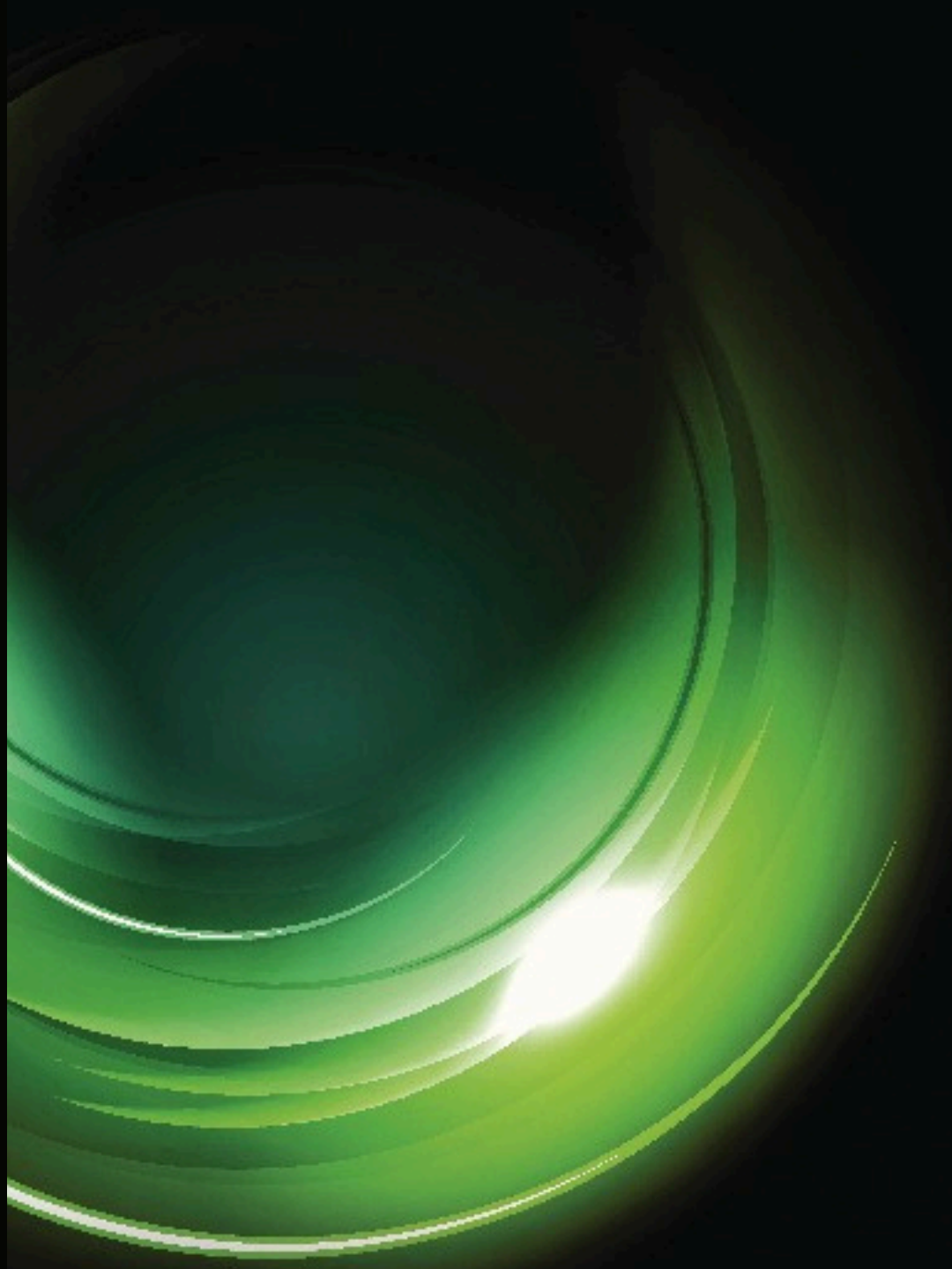




BETALIGHT  
when reliability really counts

TACTICAL

BETALIGHT B120





# B120 Ultra-Long Range Mounted Tactical Searchlight

## Key Features:

- Ultra-long range: Up to 7 km.
- High brightness: 3,200 lumens, making the flood beam effective for close-area illumination.
- Optional IR or Green laser dazzler modules for enhanced performance.
- Perfect for remote weapon stations

## Multi-mode operation:

- Strobe mode
- 100% power
- 50% power
- Optional: IR or Green laser dazzler mode

## Mounting:

- Integrated customized rail cover for gun, vehicle, and warship mounting.

## Construction

- Aerospace-grade aluminum alloy housing.
- HAIII military-grade hard-anodized finish.
- Water-resistant and built for extreme conditions.

## Applications:

- Meets all military and industry specifications, making it ideal for:
- Military use
- Law enforcement
- Other professional applications





# Specifications

<b>Main light:</b>	
Output	<b>13,000,000 candela (as per ANSI/ANSI/PLATO FL1-2016)</b>
Range	<b>100% power: 7,000 m (as per ANSI/ANSI/PLATO FL1-2016)</b>
Brightness@700 meters	<b>26 lux</b>
Brightness	<b>3,200 lumen</b>
Modes	<b>Strobe, 100% Power, 50% power, 10% power</b>
Beam Width	<b>White: 1° - 40° motorized</b>
<b>Control:</b>	
Control method	<b>computer control via RS232</b>
Control	<b>Switch modes between strobe, 100% high power and 50% power; Adjust beam width: 1° ~ 40° (white light)</b>
<b>Dimension:</b>	
Length	<b>226 mm</b>
Main light beam output diameter	<b>120 mm</b>
Body height	<b>169 mm</b>
Weight (without battery bank)	<b>5.5 kg</b>
<b>Environment:</b>	
Working temperature	<b>-32°C ~ +50°C (as per U. S. MIL-STD-810G)</b>
Storage temperature	<b>-40°C ~ +70°C (as per U. S. MIL-STD-810G)</b>



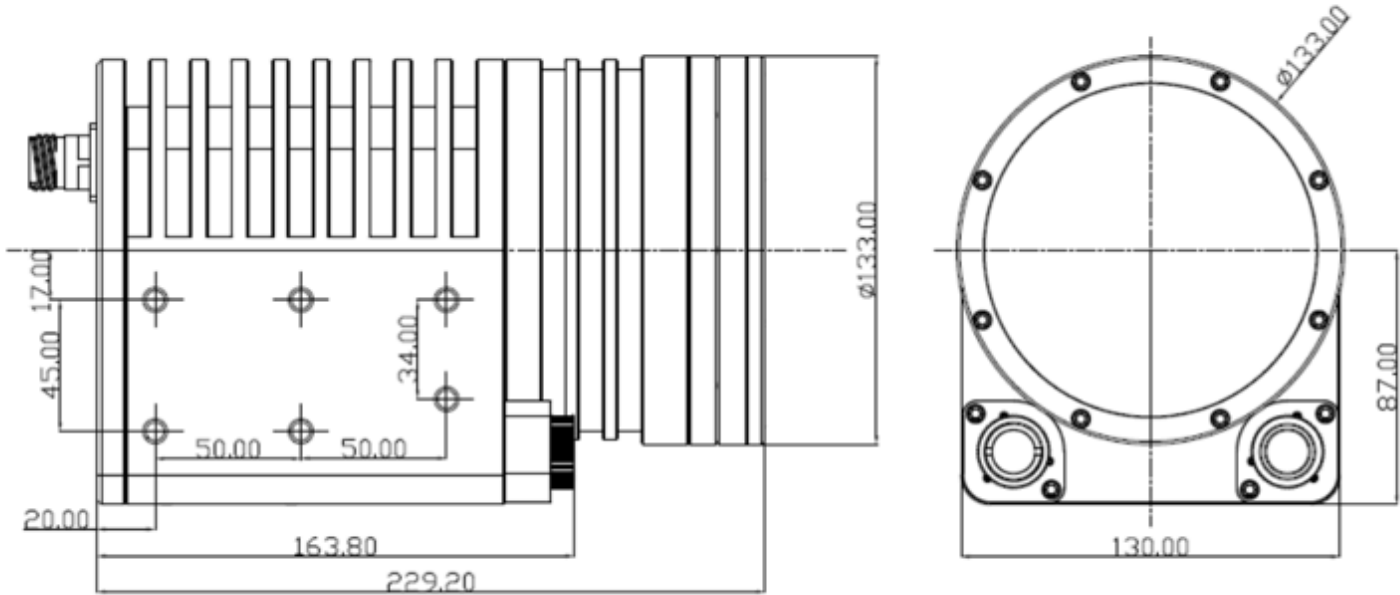


Ingress Protection	<b>IP67</b> <b>(As per U. S. MIL-STD-810G)</b>
Power supply	<b>24 V DC power</b>
<b>Maintenance:</b>	
Lifespan of light source	<b>10,000 <u>hr</u></b>
Material	<b>Aerospace-grade aluminum alloy housing with a HAIII military-grade hard- anodized finish</b>





## Dimensions





BETALIGHT  
when reliability really counts

B120



5 / 5



BETALIGHT  
when reliability really counts

[www.betalight-tactical.com](http://www.betalight-tactical.com)  
[info@betalight.nl](mailto:info@betalight.nl)  
+31 - 341360111